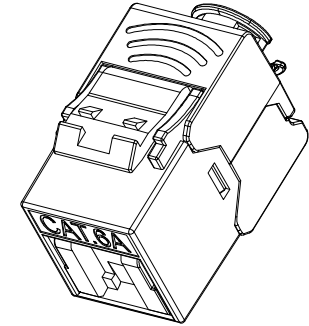
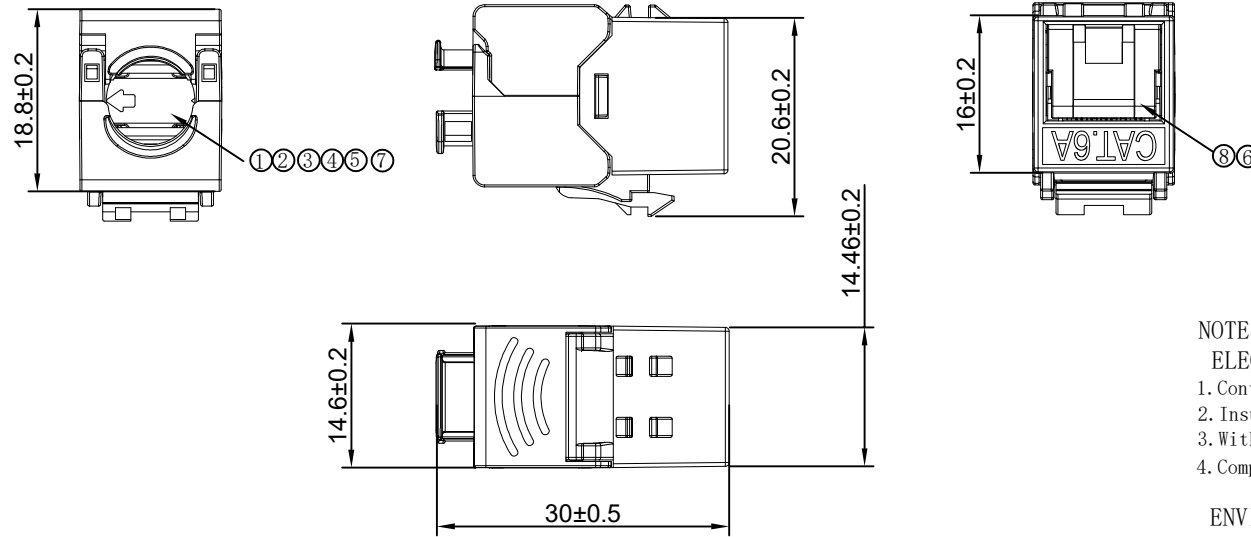


| | | | | |
|-----|----------------------|-------------------------------|--------------|--------|
| ③ | Screw | M5 | 2PCS | |
| ② | keystone Jack holder | Material:stainless steel | 1PCS | |
| ① | DIN Rail | Material:stainless steel | 2PCS | |
| NO. | PARTS NAME | SPECIFICATION STANDARD | QT' Y | REMARK |
| | | NEW | 2017. 04. 28 | A |
| BY | CHK | REVISION RECORD MODIFICATIONS | DATE | REV. |

| | | | | | |
|-------------------|--|----------------------|--------------|------|----|
| SYNERGY 21 | | | | | |
| CUSTOMER | | ITEM NO. | S215487 | | |
| PRODUCT NAME | 2port RJ45 keystone Jack holder for DIN Rail Metal | manufacture country: | CHINA | UNIT | MM |
| DRAWNBY | CHECKBY | APPOBY | DATE | | |
| SYNERGY 21 | SYNERGY 21 | SYNERGY 21 | 2017. 04. 28 | | |



NOTES:

ELECTRICAL:

- 1.Contact Resistance : 20MΩ MAX
- 2. Insulation Resistance : 500MΩ MIN @ 500V DC
- 3. Withstand Voltage : DC 1000V AC 700V RMS 60Hz, 1MIN
- 4. Compliance with Class EA up to 500 MHz to ISO/IEC 11801 Ed. 2. 2:2011-06
DIN EN 50173-1:2011-09

ENVIRONMENTAL:

- 1.Storage temperature : -40°C T0+70°C
- 2. Operation temperature : -10°C to+60°C

MECHANICAL

- 1. SHIELD MATERIAL: ZINC ALLOY
 - 2. IDC MATERIAL: PC TERMINAL:PHOSPHOR BRONZE, TIN PLATING
 - 3.RJ45 Contact Life: 750 Times Min
 - 4. Plug inforce:<30N
 - 5. Solid cable:1/22AWG(0.65MM)-1/26AWG(0.40MM) ID:1.05MM-1.5MM
 - 6. Cable OD: 5.0mm-8.5mm
 - 7. PoE per IEEE 802.3af,PoE+ per IEEE 802.3at
 - 8. 360° Shield connection
- RoHS 2011/65/EU and amendment directives (EU)
2015/863 compliant;REACH 1907/2006/EC compliant.
PACKING:lpc+copper foil/PE bag+label
Accessories:
Instruction Sheet *lpc/inner box
Cable Tie(75X1.9mm) *1Pc

MATERIAL LIST:

| | | | | |
|---|-------------------|-----------------------------------|---|--|
| ⑧ | Dust cap | PC Black | 1 | |
| ⑦ | MODULAR COVER | PC White | 1 | |
| ⑥ | RJ 45 JACK INSERT | PHOSPHOR BRONZE 8P8C GOLD PLATED | 8 | |
| ⑤ | PCB | 1.2mm UL 94V0 | 1 | |
| ④ | IDC BODY | PC White | 1 | |
| ③ | IDC PIN | PHOSPHOR BRONZE & TINNED | 8 | |
| ② | LABEL COLOR CODE | T568A/B | 2 | |
| ① | IDC TERMINAL | FOR 22-26AWG(0.40mm-0.65mm) CABLE | 1 | |

| NO. | PARTS NAME | SPECIFICATION STANDARD | QT' Y | REMARK |
|-----|------------|-------------------------------|------------|--------|
| | | NEW | 2024-04-16 | A |
| BY | CHK | REVISION RECORD MODIFICATIONS | DATE | REV. |

| SYNERGY 21 | | | | | |
|--------------|---------------------------|----------------------|------------|-----------|----|
| CUSTOMER | AN | | ITEM NO. | S216338V2 | |
| PRODUCT NAME | CAT. 6A STP KEYSTONE JACK | manufacture country: | china | UNIT | MM |
| DRAWNBY | CHECKBY | APPOBY | DATE | | |
| SYNERGY 21 | SYNERGY 21 | SYNERGY 21 | 2024-04-16 | | |